



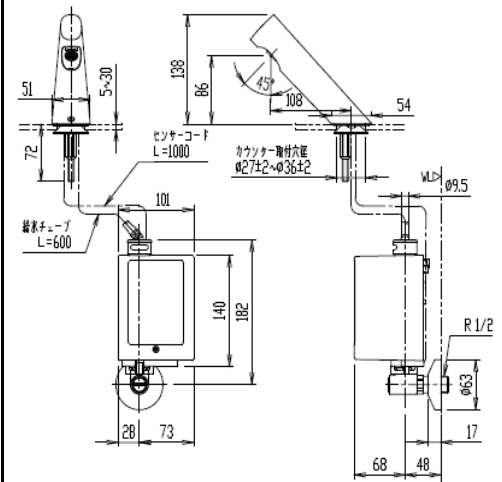
PROJECT		REF		REV	ITEM CODE	
LOCATION		DATE			PAGE	

## SANITARY WARE SPECIFICATION SHEET

Item Descriptions	Inax (Japan) Chrome plated deck mounted Infra-red sensor faucet; DC Supply with 4x AA size alkaline cell battery	<p>Illustration/ Drawing</p>
Dimensions	L108 x W51 x H138 mm	
Model	AM-300C	
Finish	Chrome Plated	
Manufacturer	Inax (Japan)	
Source	Acme Sanitary Ware Co. Ltd Mr. Eric Wong/ Mr. Wilson Hung	
Contact Tel/Fax	(852) 2388-7171 / (852) 2710-8012	
E-mail	acme@acmesanitary.com.hk	
Website	www.acmesanitary.com.hk	

- Deck Mounted Sensor Single Tap
- Not included drain pop-up
- Power: Aqua Energy Hydraulic Generator: DC7V
- Back-up: 4x AA size alkaline cell battery
- Water pressure: 0.05MPa (Flow) to 0.75MPa (Static)
- Ambient Temperature: 0 to 40 degrees Celsius
- Ambient Humidity: Not higher than 90 %RH
- Flow Rate: 2 to 3 L/min (with flow restrictor @2.5 L/min)
- Sensing: Distance-measuring IR sensor
- Sensing Distance: Automatically Adjusted
- Size Of Sensing Area: Dia. 10 mm
- Inlet Connection: Single: R1/2 / Thermostatic: PJ 1/2 screw

仕様		
電源	主電源	DC7V(電源回路)
	バックアップ	DC3V(アルカリ乾電池単3形4本)
使用圧力範囲		0.05(流動時)~0.75(静止時)MPa
使用水		水道水および飲用可能な井戸水
使用環境温度範囲		0~40℃
使用環境湿度範囲		90%RH以下
適正流量範囲		2~3L/分(2.5L/分定流量弁内蔵)
感知方式		距離測定式赤外線センサー
感知距離		自動設定(感知距離自動調整機能内蔵)
感知エリア幅		約φ10mm





PROJECT		REF		REV	ITEM CODE	
LOCATION		DATE			PAGE	

## SANITARY WARE SPECIFICATION SHEET

番号	部品品番	部品名	所要数
1	A-11018-50	吐水口ASSY	1
2	A-8216	45° 継手ASSY	1
3	A-11028	機能BOX	1
4	72-1057	クイックアスター (呼び12.7)	1
5	A-8187	定流量弁ASSY	1
6	A-8185	止水栓ASSY	1
工	KG-23	締付工具 (対辺13)	1

**● 単水栓の場合**

**1.** マイナスドライバーなどで止水栓を矢印の方向いっぱいまわす。センサーに手をかざし、水が止まったことを確認する。

Note:

\* All information of the above is for the reference only. No prior notice is made if any changes.



水務署  
Water Supplies Department

總部 Headquarters

香港灣仔告士打道七號入境事務大樓 48 樓

48/F Immigration Tower, 7 Gloucester Road, Wan Chai, Hong Kong

本署檔號  
Our ref.  
來函檔號  
Your ref.



/2024 T/J(47/2024)

電話 :  
Tel. :  
傳真 : 2824 0578  
Fax :

19 April 2024

### Approval of “INAX” Sensor Tap (General Acceptance No. C20240254)

Your E-Application [file-id: ETJ-GA-20231228-192] dated 11 January 2024 and subsequent submission received by this department on 27 March 2024 refer.

Having considered the test reports ref. 220191PC220011A and 202535EN220249(1) issued on 10 March 2023 and 21 April 2022 by Fugro Technical Services Ltd., this Authority accepts that the fitting described below complies with, and its use when correctly installed does not contravene, the Waterworks Ordinance and Regulations.

**Name of Manufacturer:** LIXIL Corporation  
**Country of Origin:** Japan  
**Brand:** INAX  
**Details of Fitting:** 1/2" Deck mounted sensor tap with 1 no. of flexible hose  
**Model:** AM-300C  
**Body Markings:** INAX  
**Expiry Date:** 31 March 2027



This Authority hereby permits the use of the above fitting in fresh water plumbing systems subject to full adherence to Waterworks installation requirements. In particular, you are required to draw your customers' attention to the following requirement-

"A stop cock or gate valve must be installed at the upstream of the fitting for manual isolation of water supply." AND

"The main voltage operated sensor valve should comply with the electricity safety regulation for applications in bathroom, toilet etc."

A condition of this acceptance is that the fitting to be installed shall be replicas of the sample as certified by the testing agent mentioned above and without modifications. This acceptance may be withdrawn at any time if the standard of the fitting installed fails to meet that of the approved sample or if the fitting is found to be unsuitable for use in fresh water plumbing systems.

This acceptance is only applicable to the main body of the fitting, unless otherwise specified.

For the use of the fitting in any project, the General Acceptance Number of this letter must be quoted as a means of identification of acceptance of the fitting by this Authority.

Should you have any enquiries, please contact our Engineer Mr Albert CHOW at tel. no. 3583 4086.

Yours faithfully,



(Terry KUNG)

for Director of Water Supplies

Encl.

c.c. WSD 3321/1/82 ] - without catalogue  
ME/MC ] - with soft copy only